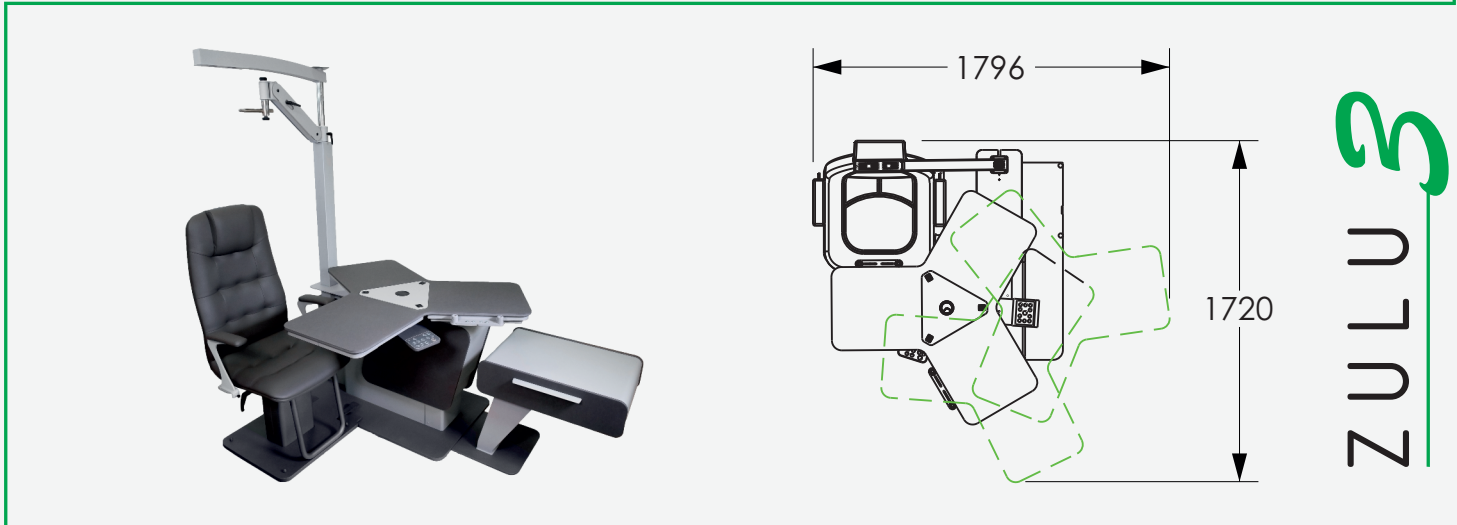
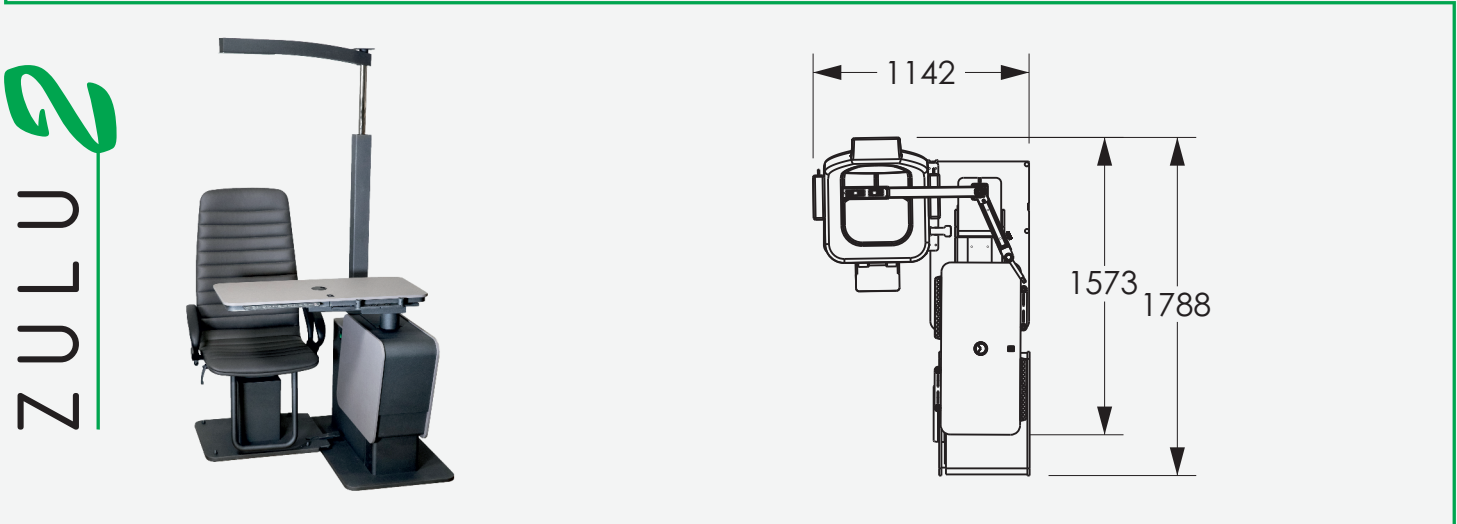
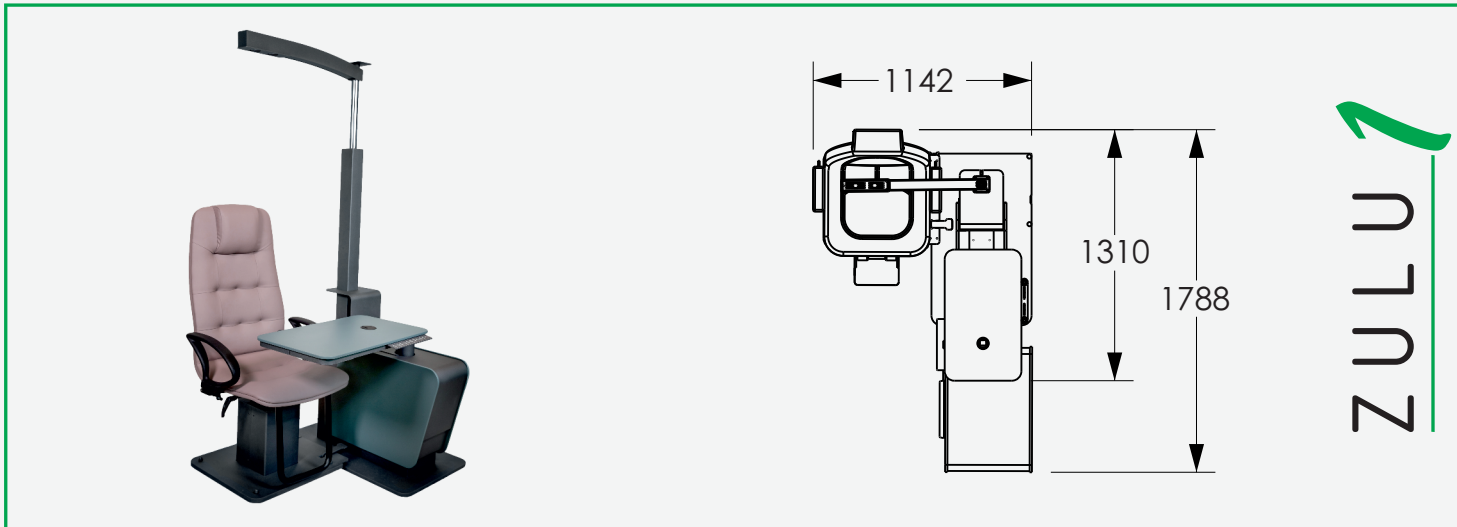


# REFRACTION UNIT | ZULU



# REFRACTION UNIT | ZULU

## **Zulu1 – version with tabletop for 1 instrument**

## **Zulu2 – version with tabletop for 2 instruments**

## **Zulu3 – version with tabletop for 3 instruments**

- Elevating tabletop (25cm)
- Elevating chair (15cm)
- Removable chair for wheelchair access
- Rotating tabletop lockable at any position
- Column with support for chart projector and overhead LED lamp with adjustable illumination
- Integrated adjustable power transformer for slit lamp / ophthalmometer
- Chin rest support plate
- “Liftboy assistant” - instrument height correcting system
- 230V outlet for additional instrument e.g. auto lensmeter, auto phoropter, etc.
- Right- or left- handed version (easy convertible at customer`s site)

## **Optional**

- Counterbalanced phoropter arm
- Horizontal phoropter arm Linea
- Footrest (fixed, foldable, tube type)
- Tip-up arm rests
- Chair with reclining back
- Foot switch control for up/down movement of the chair
- Installed data cables (Fire Wire, USB, RS232, etc.)
- Empty tray for trial lenses set
- Stand for operational panel of digital phoropter
- Room light controller
- Pillow for children
- Cabinet with a drawer for trial lenses set
- Welcome requests for any other options

## **Technical information**

Max height	196cm
Table height from the ground	From 74cm to 99cm (25cm lift)
Chair height from the ground*	From 48cm to 63cm (15cm lift)
Chair rotation	*360°
Overhead lamp	LED 4x 3W 700mA
Instruments power supply	~230V, programmable 5-20V AC or DC, dimmable or constant
Power supply voltage**	~230V 50/60Hz
Total weight*210kg	210kg

\*varies depending on options

\*\*Power supply voltage ~115V on request



UAB Medinstrus, Kruciu str. 9, Kruciai,  
LT-89327 Mazeikiu r. Lithuania

