

E-30 SE

The table, that is a unit.



The **bon E-30 SE** is the tasteful combination of an ergonomic desk and a modern ophthalmic examination unit.

Excellent ergonomics coupled with adaptive technology ensure unprecedented comfort and generous space.





bon - A tradition of quality.

With a "b o n" you are choosing **30 years** of development at the highest level, a wealth of experience in design practice and a wide range of innovative ideas that make your life easier.



Reliable

All components are selected for utmost efficiency and robustness. You can be sure that your **b o n** unit will stand the test of time providing many years of enjoyment in daily practice.



Planning and installation

Be it the interface with the architect, room layout or advice on patient flow management your **b o n** team is on hand to assist at each step of the way.

Our experienced and qualified technicians are on hand to manage your installation and to provide excellent after sales service.



You decide

With a choice of 75 different upholsteries, more than 250 paint finishes and an extensive range of wood veneers you can specify the design to exactly fit your personal tastes and your interior design.



The swing away chair allows easy access for wheelchair patients.



The E-30SE can be controlled via IR remote control, keypad or even a touchpad.



Design

Design is an important cornerstone of our philosophy. Our distinctive design is reflected for example in the new E-30 SE: a desk, which is a refraction unit which is a desk. It is extremely practical and looks terrific. All cables are cleverly hidden in the table frame. No mess. No clutter. The open table design allows high efficiency, easy access for cleaning and maintenance, and maximum legroom.



Ergonomics

Ergonomics play a central role in any work environment. **Your comfort** and that of your patients are essential. Be it the ergonomic shape of the table, the position of the controls or a practical storage space for the patient's glasses, cell phone or car keys. Ergonomics also provide comfortable access for sitting down and standing up for elderly patients. The electronic height adjustment feature provides a comfortable working posture for all practitioners whatever their height. The horizontal movement and the folding armrest of the chair accommodate even the most corpulent of patients.



Intelligent

The intelligent E-30 SE will save you time and money. The programmable electronics automatically provide up to six different lighting scenarios which are **always perfectly matched** to the respective examination step and the ambient lighting. A smart, soft, start feature ensures longer life of the equipment lamps. A standby function saves energy costs. Memorized height adjustments, a choice of remote control options and intelligent cable management are other features that will make your life easier.



Robust

Our units are manufactured in Germany – durability and quality are built in. At the core of all **bon** units is a rock solid metal mainframe, which ensures they not only look good but deliver a top performance over and over again. Your **bon** unit is built to last.

- A safe investment for the future.



The pivoting tray turns your handheld instruments on and off automatically.



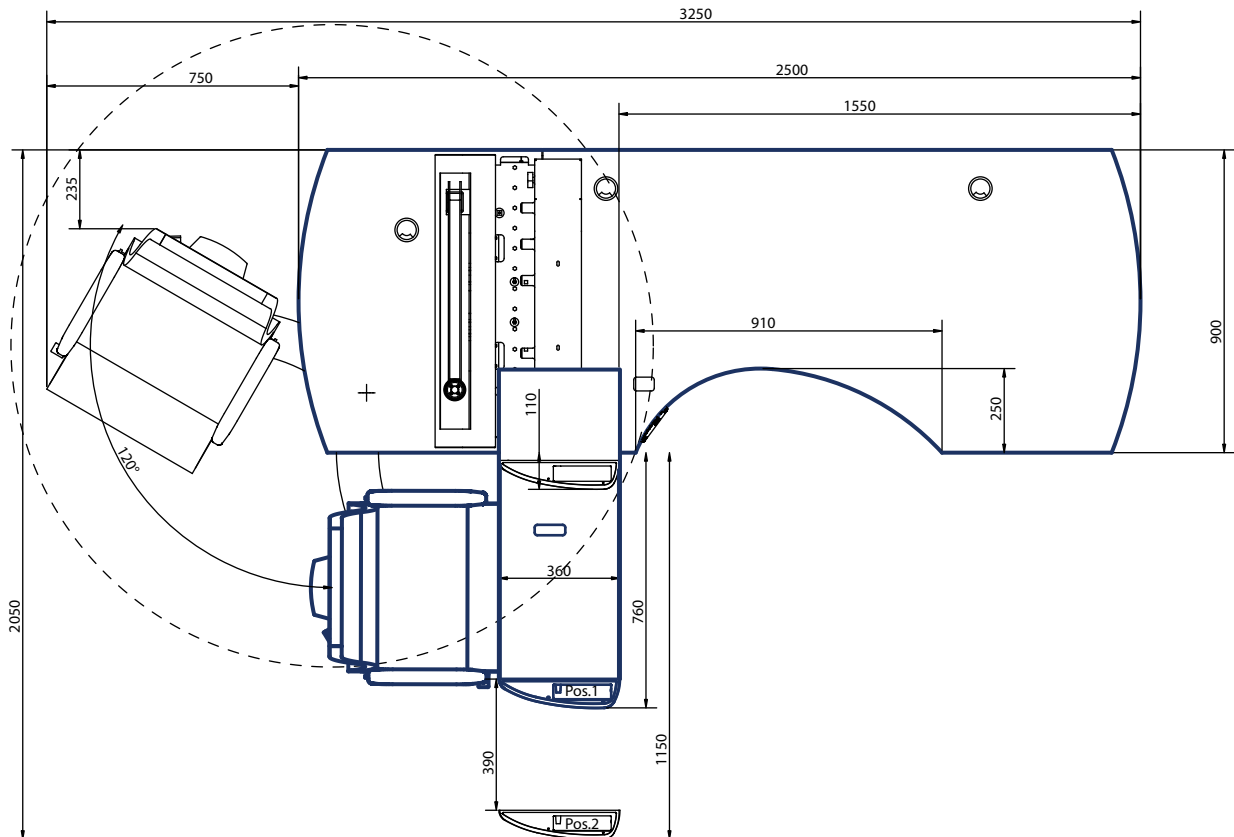
The E-30 SE can surprise you with clever details such as integral USB ports, card reader or a shelf for glasses and handbags.



You can complete your unit with a color matching cabinet.

bon E-30SE

A table that leaves no wishes unfulfilled.



Standard features:

- Integrated desk unit with electro-motorised height adjustment from 64 to 89 cm, including memory function
- Electromotorised sliding table, suitable for two large ophthalmic instruments
- Electromotorised height adjustable patient chair with manual forwards backwards movement and one retractable armrest
- Standard safety off
- Integral key pad control and additional infrared remote control
- Intelligent adaptive control electronics with power supply for your desktop devices
- Control of room lights via the unit

Options:

- Electromotorised phoropter track
- Near reading spot light
- Projector column
- Rotation of the patient chair
- Reclining back rest
- Swing over patient chair for easy access of wheelchair patients
- Foot switch and foot rest for the examination chair
- Swiveling Swing over trial lens tray (not possible with the ergonomic cutout table)
- Color matching cabinet or side cabinet
- Cradle with auto switch for hand instruments
- A wide choice of wood & veneers, RAL finishes and upholstery